

England's Stove Works, Inc.

*Pellet Stoves
Wood Stoves
Multi-Fuel Stoves*

P.O. Box 206 Monroe, VA 24574 www.englishstoves.com Phone: (800) 516-3636 Fax: (434) 929-4810

Installing refractory boards and/or replacing Burner tube(s) in units with "17" in model number

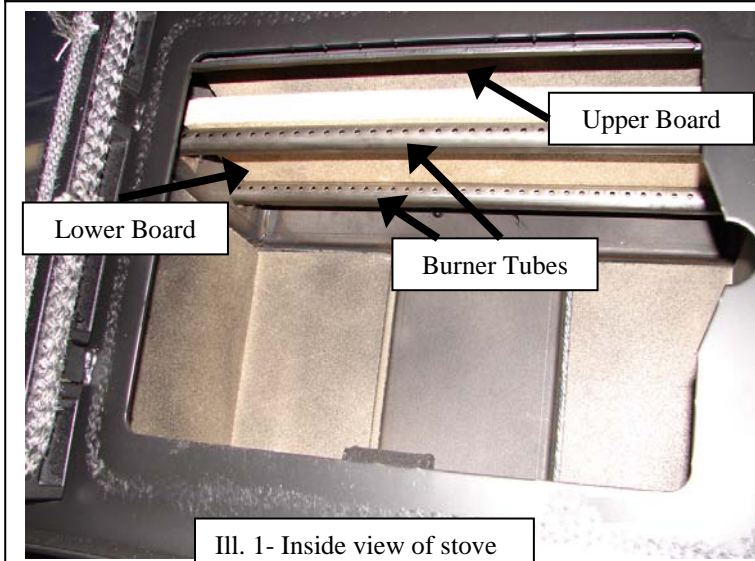
**WARNING: STOVE MUST BE OUT (NO FIRE), AND COOLED DOWN BEFORE PROCEEDING.
ALWAYS FOLLOW ALL CODES.**

1. Open the front door of the stove.
2. Locate the two burner tubes inside the stove, at the top of the firebox (Ill. 1). Locate the 5/16" screws at the left-hand end of the tubes. Remove the screws for the front and rear burner tubes. (Note: If you are only replacing the burner tubes, lift up on the lower refractory board and slide it to the rear to rest above the burner tubes.)
3. Once the screws for the front and rear tubes are removed, slide each tube to the right and let it drop down. Then slide each tube to the left to remove it from the stove. **IMPORTANT:** Take note of which tube belongs in each position (i.e. front and rear), as each tube is different.

If cleaning/replacing boards:

4. Remove the lower refractory board from the stove.
5. To remove the upper refractory board, push up on the rear of the board and slide slightly to the left of the stove. Then tilt the right side of the board down and remove from stove.
6. To install the upper refractory board: Put board in at angle and slide board above the two tabs inside the top of the stove. Rest the rear of the board on the tabs and the front of the board against the stove.
7. Place the lower refractory board into the stove. Slide board to the rear of the stove above where the tubes are to be installed. Allow the board to rest on the sides of the stove.
8. Install the rear burner tube (install the right hand end of each tube first). Install the front burner tube. Use screws previously removed. Last, slide the refractory board back down on top of the tubes and slide the board flush with the rear of the stove (Ill. 1). See Ill. 2 and reverse side for further reference.

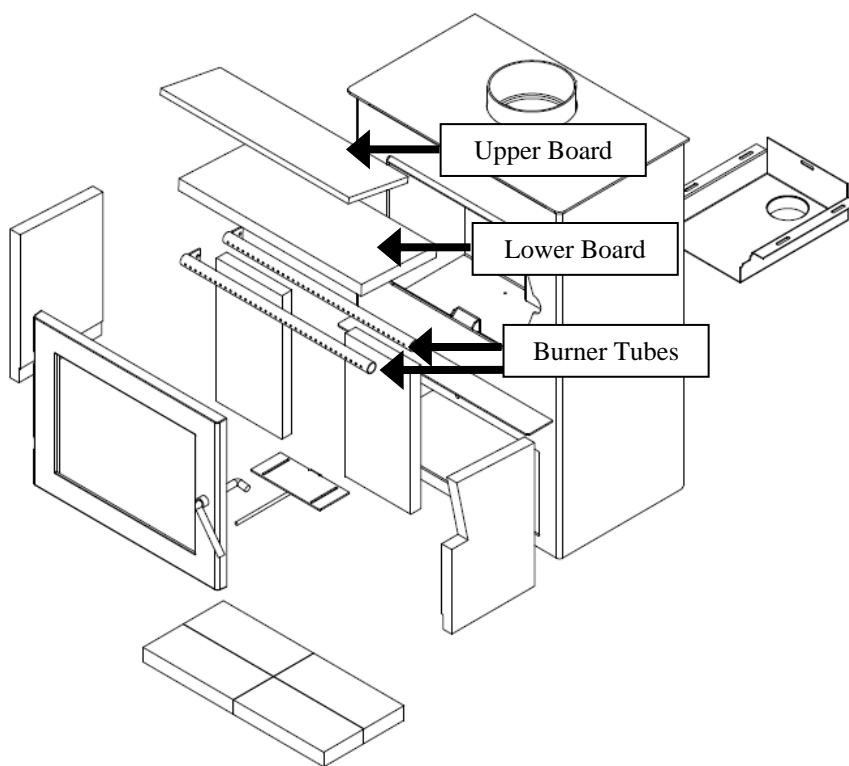
Ill. 1 - Lower board rests on burner tubes; Upper board is above



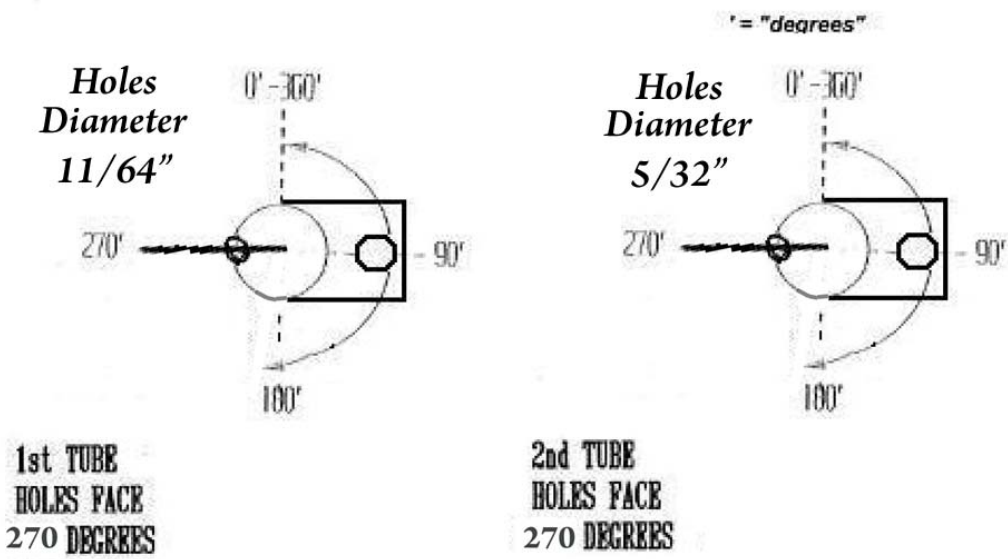
Ill. 2 - View of top board from stove collar



III. 3 – Exploded view of stove



**Front (Door Side)
of Unit**



(Side View of Tubes)

III. 4 – Tube Placement